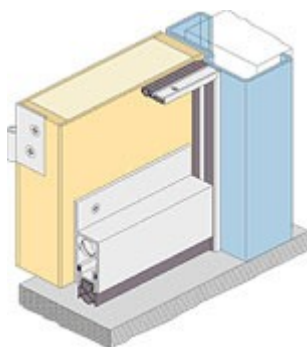


## Sealing Systems

Protecting against smoke, pests, wind, rain, dirt, heat, cold and limiting light.

All E-Core Mini Fire Doors have gaps between the door leaf and the frame to allow doors to be opened and closed. Various door sealing systems are available to seal these gaps when the door is closed. The different door sealing systems provide a combination of protection against noise, smoke and pests, as well as from weather elements such as wind and dirt. A fully sealed door and frame arrangement also limits light and reduces leakage of heat (or air conditioning) from one side of the door to the other.

For further information on approved door sealing systems for our E-Core Fire Doors, please contact the Trafalgar sales team



Door bottom and perimeter fire seals